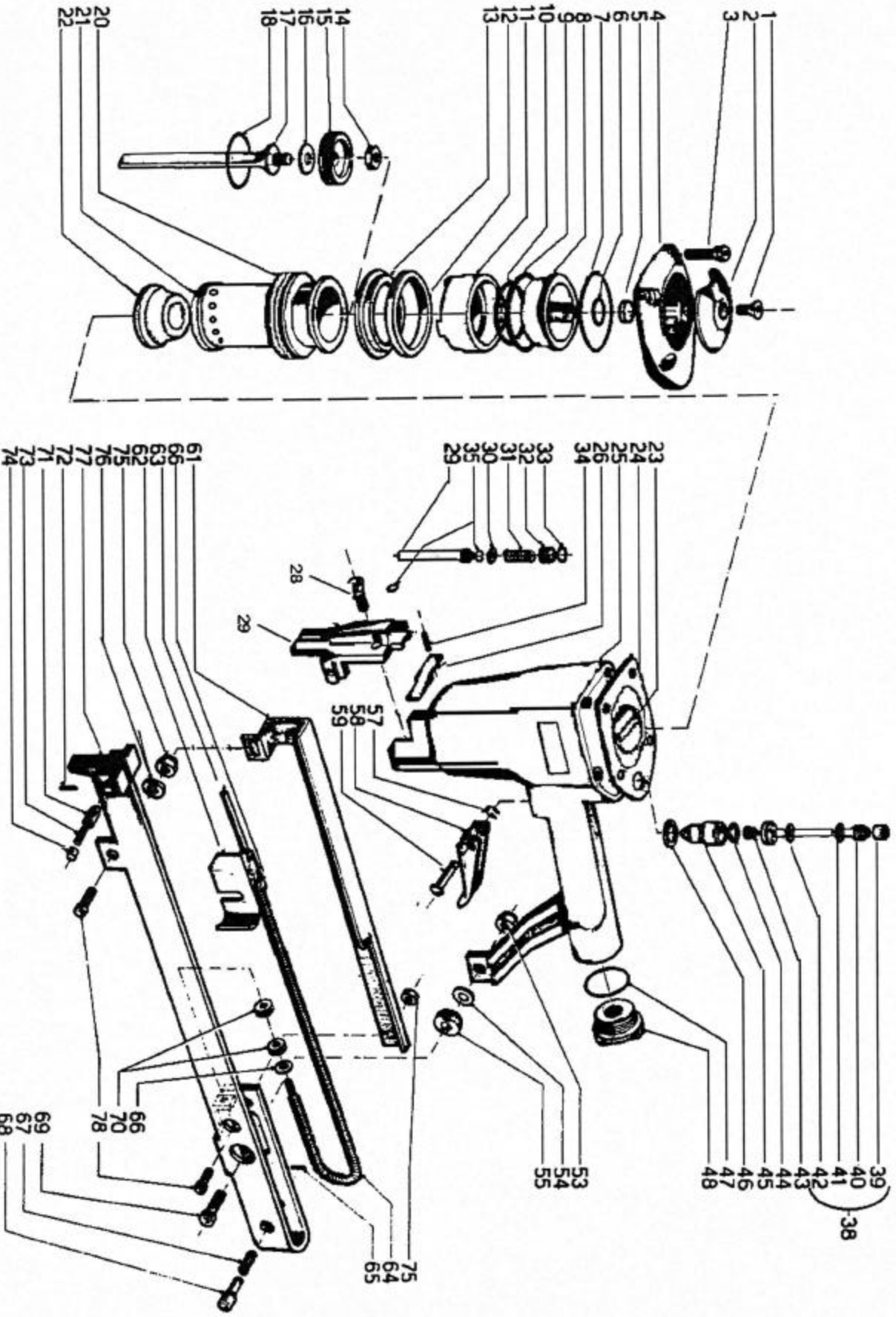


MINOR 90/32 LM



92

**Minor 90/32  
990-3235**

1	37006412	Deflector screw	39	37099530	Gasket
2	37570880	Exhaust deflector	40	37090621	O ring
3	37001325	Head screw	41	37551694	Shaft
4	37570042	Head	42	37090525	Gasket
5	37099680	Upper seal	43	37053050	Spring
6	37091016	O ring	44	37090525	Gasket
7	37091071	O ring	45	37561112	Servocontrol
8	37570021	Valve	46	37099120	Gasket
9	37091069	Valve top o ring	47	37091055	O ring
10	37091064	Valve lower o ring	48	37551440	Inlet nozzle
11	37605034	Valve jacket	53	37011417	Nut
12	37620190	Jacket ring	54	37571620	Washer
13	37099670	Cylinder gasket	55	37571650	Spacer
14	37014515	Piston nut	57	37099950	Snap ring
15	37622181	Piston	58	37605150	Trigger
16	37551190	Washer	59	37621440	Trigger pivot pin
17	37571200	Driver blade	61	37571700	Staple hold down
18	37091514	O ring	62	37571350	Pusher
20	37091359	O ring	63	37571370	Pusher rod
21	37571170	Cylinder	64	37050750	Pusher spring
22	37571210	Bumper	65	37053080	Pin
23	37099881	Gasket	66	37024208	Washer
24	37098052	Head gasket	67	37050110	Spring
25	37571060	Body	68	37571330	Pusher latch pin
26	37561522	Driver guide	69	37001420	Screw
27	37571531	Nose plate	70	37011212	Nut
28	37009315	Screw	71	37571641	Magazine release pin
29	37615810	Safety	72	37035210	Spring
30	37030209	Square washer	73	37050780	Pin
31	37050660	Spring	74	37571630	Retaining plug
32	37615761	Plug	75	37011110	Nut
33	37092511	O ring	76	37024105	Washer
34	37035306	Pin	77	37571830	Magazine rail
35	37090610	Oring	78	37001110	Screw
38	37551713	Shaft assembly	79	37050821	Valve spring