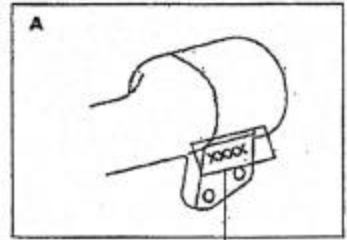
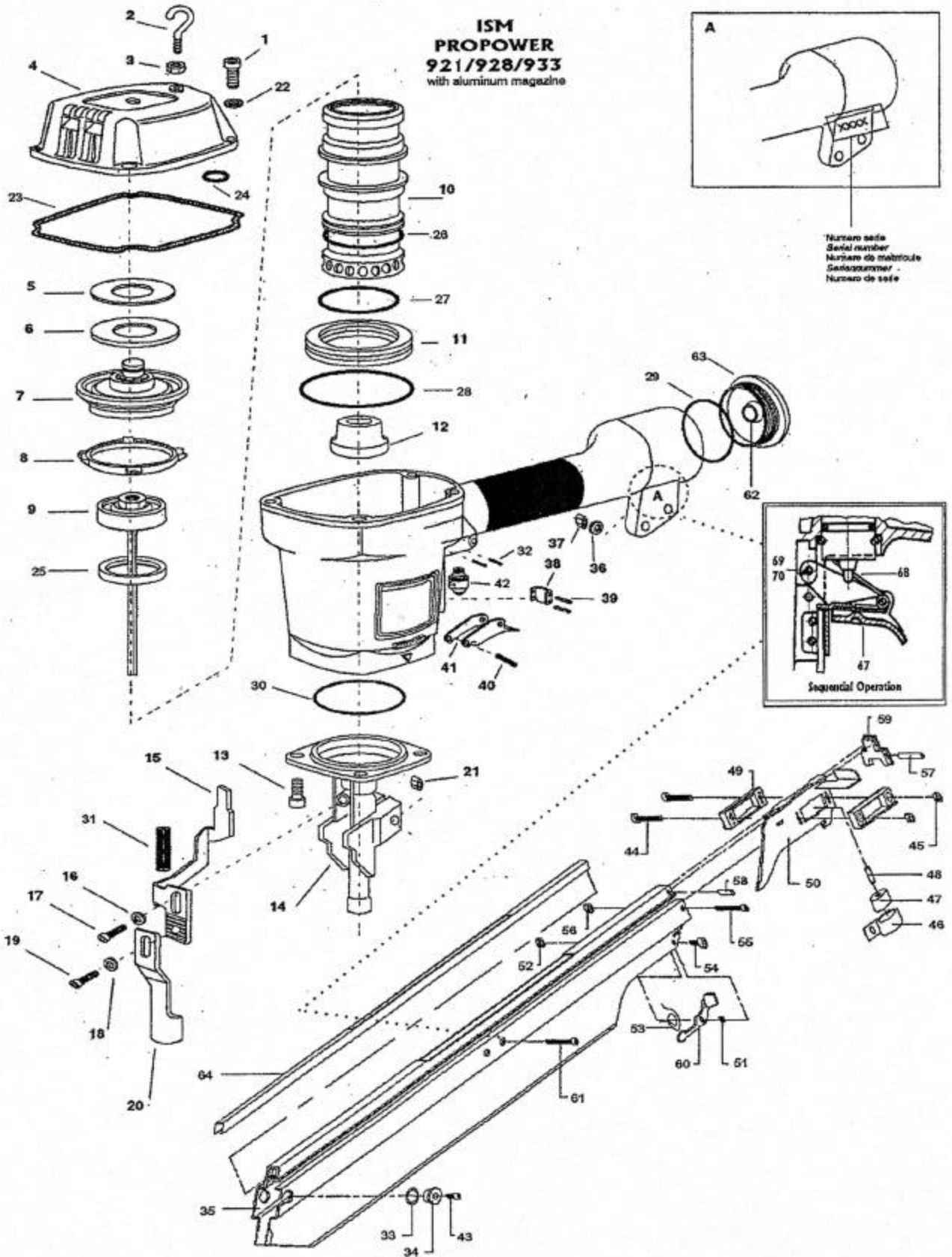


**ISM
PROPOWER
921/928/933**
with aluminum magazine



Numero serie
Serial number
Numéro de matricule
Serienummer
Número de série



Repair Parts List Propower 921/928/933

1	37001430	Head screw	34	37753620	Spacer
2	37074012	Eyebolt	35	37753580	Magazine - 921
3	37010410	Nut		37752580	Magazine - 928
4	37741910	Head		37755580	Magazine - 933
5	37741050	Support washer	36	37024310	Washer
6	37741480	Valve shock absorber	37	37011315	Screw
7	37741040	Valve assy.	38	37741860	Safety guide
7A	37741450	Membrane	39	37035424	Spring pin
8	37741230	Cylinder flange	40	37035424	Spring pin
9	37741221	Driver Assy. - 921	41	37741090	Trigger
	37752220	Driver assy. - 928,933	42	37743111	Trigger valve
9A	37020610	Piston nut	43	37001516	Screw
9B	37054710	Spring Washer	44	37001216	Screw
9C	37741180	Piston	45	37010208	Nut
9D	37783250	Spacer	46	37055110	Pusher spring
10	37741170	Cylinder	47	37743310	Roller
11	37741140	Diaphragm	48	37037561	Pin
12	37741210	Bumper	49	37753610	Pusher guide
13	37001525	Screw	50	37753340	Pusher 921
14	37753540	Nose Assy. - 921		37752340	Pusher 928
	37752540	Nose Assy. - 928		37755340	Pusher 933
	37745540	Nose Assy. - 933	51	37753640	Spacer 921
14A	37741270	Nose Bushing RHS		37743440	Spacer 928,933
	37742270	Nose Bushing CHS	52	37011212	Nut
15	37741800	Safety-upper sec.	53	37089550	Spring 921
	37741815*	Safety-upper sequential		37050400	Spring 928,933
16	37741870	Safety washer	54	37001218	Screw 921
17	37001310	Safety screw		37001216	Screw 928,933
18	37741870	Safety washer	55	37001240	Screw
19	37001310	Safety screw	56	37011212	Nut
20	37741820	Safety lower sec.	57	37753450	Spacer
21	37012515	Nut	58	37035616	Spring pin
22	37024416	Washer	59	37753670	End cap
23	37089200	Seal	60	37770391	Pusher latch
24	37090309	O-ring	61	37047318	Screw
25	37741240	Piston gripper	62	37299110	Filter
26	37091557	O-ring	63	37778930	End plug
27	37091080	O-ring	64	37753651	Nail guide 921
28	37091093	O-ring		37752651	Nail guide 928
29	37091079	O-ring		37755651	Nail guide 933
30	37090777	O-ring	67	37748120*	Trigger sequential
31	37050031	Spring	68	37052230*	Spring
32	37035422	Elastic pin	69	37748410*	Trigger pin Sequential
33	37753630	Plastic washer	70	37099950*	Gasket

* Kit # 37741129 includes all items required to convert tool to sequential operation. An additional hole above the existing trigger pin hole is required to use this kit (see exploded view). If you want to convert a tool without the additional hole call ISM at 800-378-3430 for instructions.

☐ = Recommended spare parts