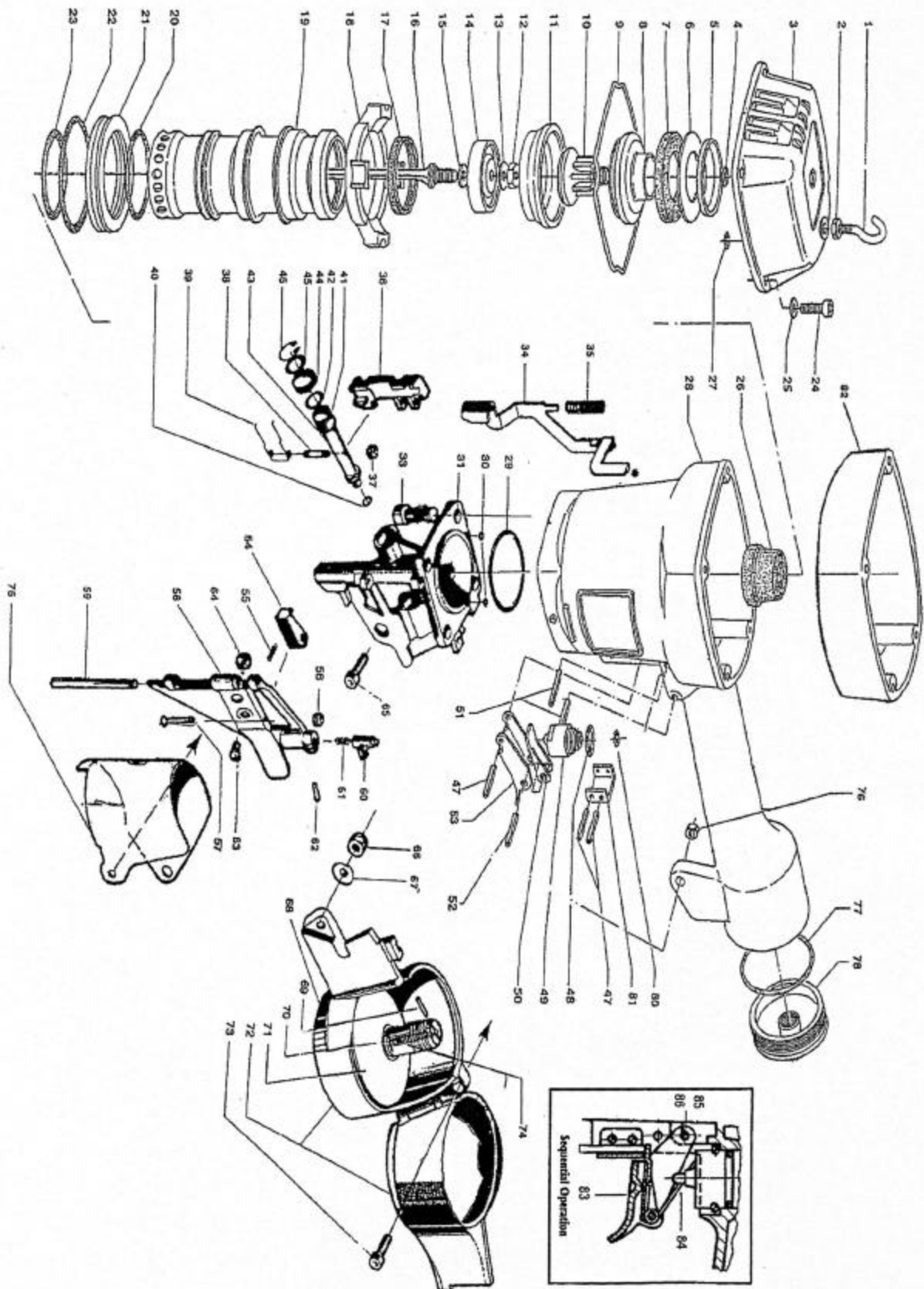


# RHC - 700/900/1000 COIL NAILERS



## RHC 700/900/1000

1	37074012	Eyebolt	38	37783320	Pin
2	37010410	Nut	39	37052200	Spring
3	37748010	Head 700	40	37088010	Gasket
	37741910	Head 900/1000	41	37099710	Gasket
4	37090920	O ring	42	37088020	Gasket
6	37741050	Support washer	43	37782410	Piston assembly
7	37741480	Valve bumper	44	37620400	Cover
8	37741020	Valve	45	37090535	O ring
9	37089200	Head seal	46	37032017	Elastic stop
10	37741100	Valve guide	47	37035424	Spring pin
11	37741450	Valve membrane	48	37091028	O ring
11a	37741040	Valve assembly	49	37743111	Trigger valve ( Was 37743110)
12	37020610	Lock nut	50	37741160	Trigger lever
13	37054710	Spring washer	51	37035422	Spring pin
14	37782180	Piston 700	52	37035416	Spring pin
	37741180	Piston 900/1000	53	Use 53a	Trigger Assy
15	37783250	Spacer	53a	37741090	Trigger assembly
16	37748221	Driver blade ass'y 700	54	37783440	Balancer
	37740221	Driver blade ass'y 900	55	37050700	Spring
	37747222	Driver blade ass'y 1000	56	37099950	Gasket
17	37782240	Piston gripper 700	57	37783410	Pin
	37741240	Piston gripper 900/1000	58	37748360	Door 700
18	37748230	Cylinder support 700		37740360	Door 900
	37741230	Cylinder support 900/1000		37747360	Door 1000
19	37748170	Cylinder 700	59	37783390	Pin
	37741170	Cylinder 900	60	37620380	Door lock
	37747171	Cylinder 1000	61	37050630	Spring
20	37091080	O ring (internal)	62	37034410	Pin
21	37748140	Diaphragm 700	63	37783950	Plug
	37741140	Diaphragm 900	64	37089110	Gasket
	37747140	Diaphragm 1000	65	37001422	Screw
22	37091093	O ring	66	37011417	Nut
23	37091557	O ring 900/1000	67	37620670	Bushing
	37091076	O ring 700	68	37740610	Bushing
24	37001430	Head screw	69	37035318	Top pin
25	37024416	Washer	70	37037144	Lever pin
26	37782210	Bumper 700	71	37740650	Support
	37741210	Bumper 900/1000	72	37748840	Magazine assembly 700
27	37090309	O ring (Was 37090614)		37740840	Magazine assembly 900
28	37740900	Body		37747840	Magazine assembly 1000
29	37090777	O ring	73	37001530	Screw
30	37090505	O ring	74	37051200	Spring
31	37748540	Nose plate 700 (Bushing 37783230)	75	37089470	Shield 700
	37740540	Nose plate 900 (Bushing 37783230)		37089360	Shield 900
	37747540	Nose plate 1000 (Bushing 37783230)		37089380	Shield 1000
33	37001525	Screw	76	37011525	Nut
34	37748811	Safety 700	77	37091079	O ring
	37748771 **	Safety/Sequential 700	78	37778930	End plug
	37748800 ***	Safety w/depth adjuster 700	80	37090701	O ring
	37740810	Safety 900	81	37741860	Safety guide
	37740815 **	Safety/Sequential 900	82	37747920	Body Spacer
	37740800 ***	Safety w/depth adjuster 900	83	37748120 **	Trigger /sequential
	37747810	Safety 1000	84	37052230 **	Spring
	37747770 **	Safety/Sequential 1000	85	37748410 **	Trigger pin/sequential
	37747800 ***	Safety w/depth adjuster 1000	86	37099950 **	Retaining gasket
35	37050580	Spring	87	37770760	Depth adjuster
36	37783340	Feeder	88	33912024	Screw
37	37099800	Gasket	89	33281401	Star washer

\*\* = Parts included in kits to convert tool to sequential operation. An additional hole is required to install these kits(see exploded view. If your tool does not have this additional hole call ISM at 800-378-3430 for instructions. Kit #'s RHC-700 37748819; RHC-900 37740819; RHC-1000 377478129

\*\*\* = Includes items 87 - 89

☐ = Recommended spare pars