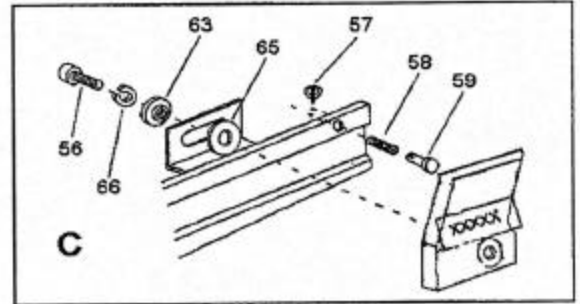
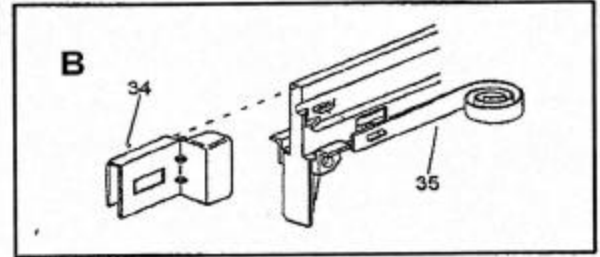
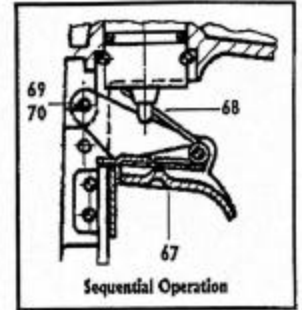
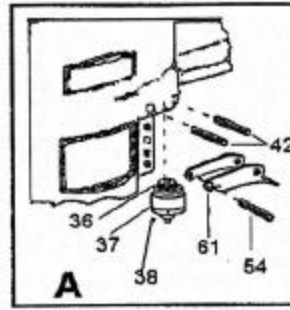
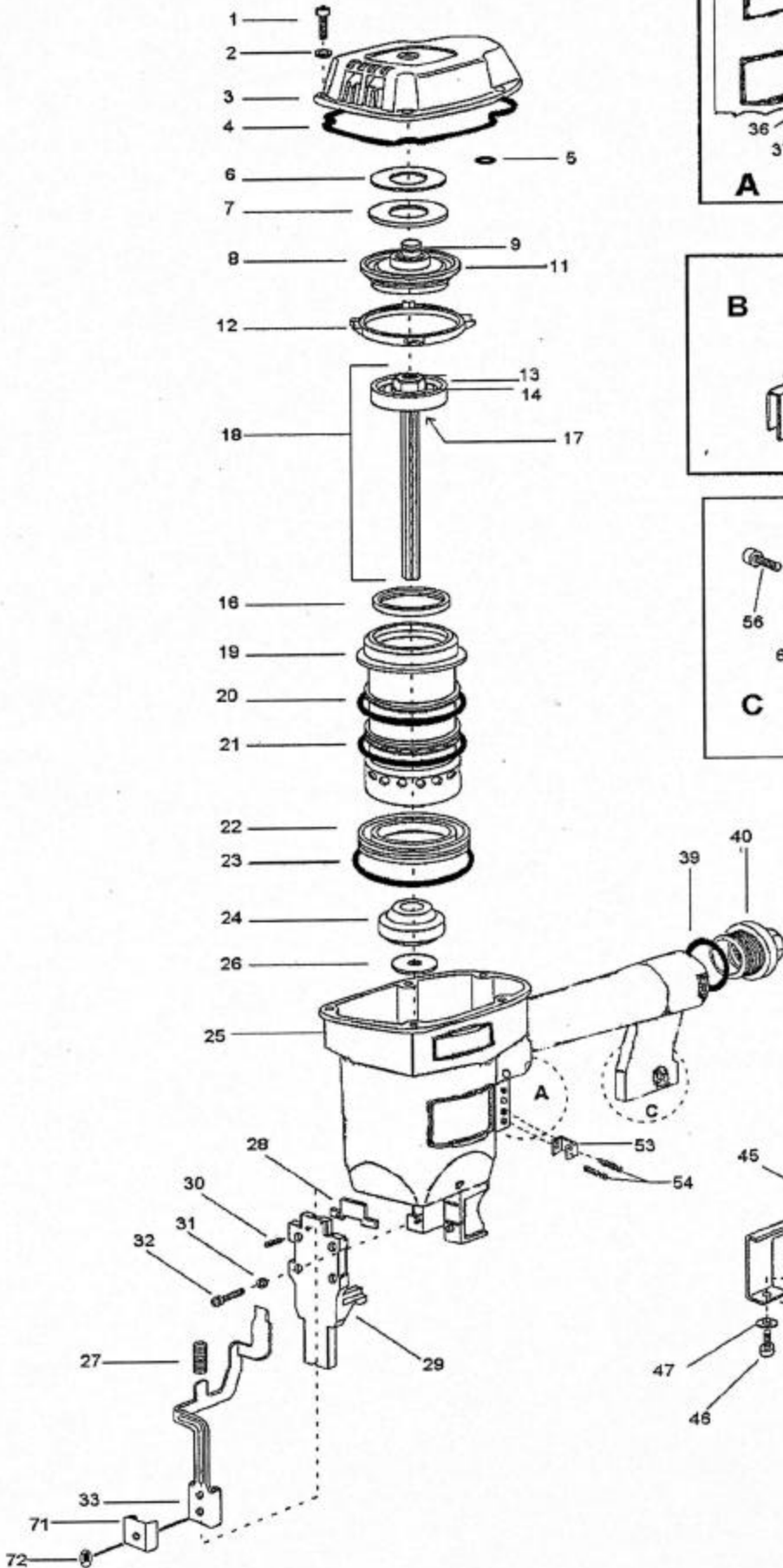


VULCANO STAPLERS  
100/16NC/15G/100-65



Numero serie  
Serial number  
Numero de matricula  
Seriennummer  
Numero de serie

## VULCANO 100/16NC/15Ga.

| P/N            | Description                | P/N          | Description               |
|----------------|----------------------------|--------------|---------------------------|
| 1 37001325     | Head screw                 | 34 37663341  | Pusher-100                |
| 2 37024310     | Washer                     | 37663341     | Pusher-15Ga.              |
| 3 37663010     | Head                       | 37664341     | Pusher-16NC               |
| 4 37089340     | Head gasket                | 35 37055060  | Pusher spring             |
| 5 37090614     | O ring                     | 36 37090701  | O ring                    |
| 6 37674050 (A) | Metal plate                | 37 37093143  | O ring                    |
| 7 37674481 (A) | Valve bumper               | 38 37743111  | Trigger valve/std         |
| 8 37674041     | Valve Ass'y                | 37743116     | Trigger valve/remote      |
| 9 37090920     | O ring                     | 39 37091522  | O ring                    |
| 10 37674100    | Piston bumper              | 40 37663420  | End plug                  |
| 11 37674450    | Membrane                   | 42 37034422  | Elastic pin               |
| 12 37663230    | Cylinder flange            | 43 37001208  | Screw                     |
| 13 37020508    | Piston nut                 | 45 37688873  | Staple hold down          |
| 14 37054506    | Washer                     | 37657870     | Staple hold down/100-65   |
| 15 37672180    | Piston                     | 46 37001210  | Screw                     |
| 16 37674240    | Piston gripper             | 47 37039212  | Washer                    |
| 17 37663250    | Spacer                     | 48 37663840  | Magazine-100/50           |
| 18 37663221    | Piston/Driver Assy-100     | 37693840     | Magazine-100/65           |
| 37663221       | Piston/Driver Assy-15Ga.   | 37663840     | Magazine-15Ga.            |
| 37664221       | Piston/Driver Assy-16NC    | 37664840     | Magazine-16NC             |
| 19 37663170    | Cylinder                   | 49 37034312  | Pin                       |
| 20 37090566    | O ring                     | 50 37688901  | Magazine release pin      |
| 21 37091066    | O ring                     | 51 37050770  | Spring                    |
| 22 37663140    | Diaphragm                  | 52 37688910  | Retaining plug            |
| 23 37091083    | O ring                     | *53 37741860 | Safety guide              |
| 24 37620210    | Bumper                     | *54 37034424 | Elastic pin               |
| 25 37663060    | Body                       | 56 37001520  | Screw                     |
| 26 37089310    | Lower seal                 | 57 37053080  | Stop                      |
| 27 37050030    | Spring                     | 58 37050110  | Spring                    |
| 28 37636520    | Driver guide               | 59 37663350  | Pusher latch pin          |
| 29 37663530    | Nose plate-100/50          | 60 37011212  | Nut                       |
| 37658530       | Nose plate-100/65          | *61 37741150 | Trigger                   |
| 37663536       | Nose plate- 15Ga.          | *62 37035416 | Elastic pin               |
| 37664530       | Nose plate- 16NC           | 63 37688850  | Bushing                   |
| 30 37035206    | Pin                        | 64 37011212  | Nut                       |
| 31 37021312    | Washer                     | 65 37688860  | Spacer                    |
| 32 37001320    | Screw                      | 66 37021520  | Washer                    |
| 33 37663810    | Safety/std.                | 67 37748120  | Trigger/sequential        |
| 37663800       | Safety/siding w/depth adj. | 68 37052230  | Spring/sequential trigger |
| 37663770 B     | Safety/sequential          | 69 37748410  | Trigger pin/sequential    |
|                |                            | 70 37099950  | Retaining gasket          |

 = Recommended Spare Parts

VULCUP.XLS

A= Material was changed to increase wear. Color was changed from white to black.

Metal plate 37674050 was added for support.

B= # was 37663815; To convert tool to sequential use kit # 37663779